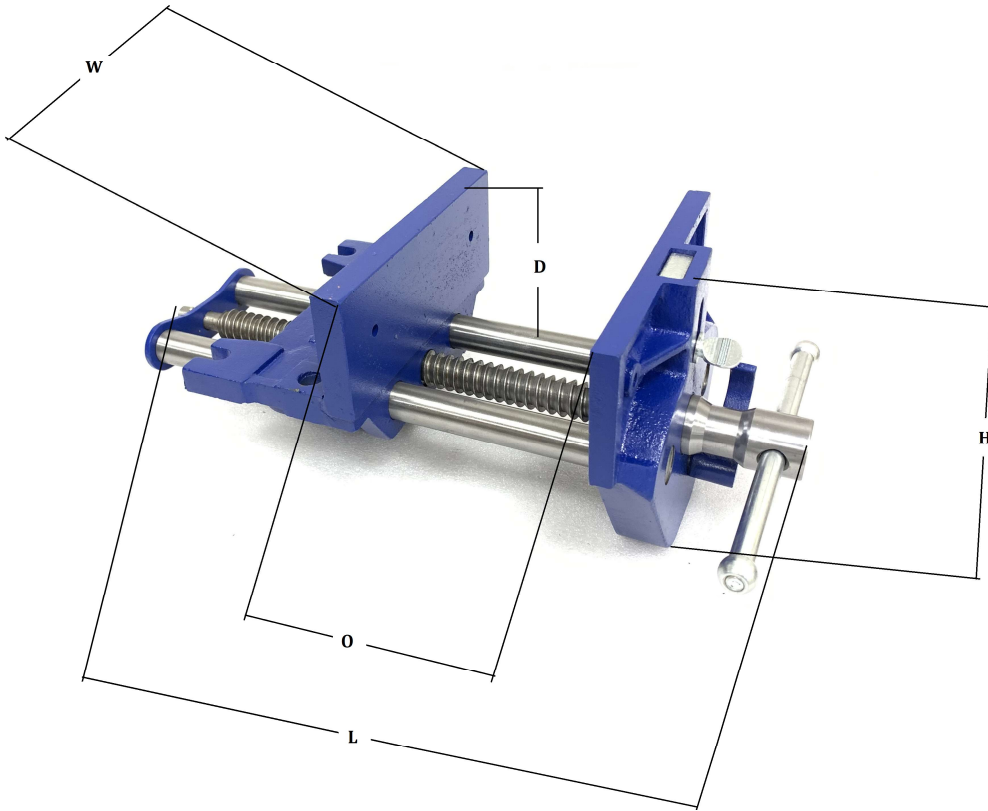


## QUICK RELEASE BENCH VISE 7"/175mm

ORD NO: 110234



### TECHNICAL DATA:

S.NO	PARAMETER	SPECIFICATION
1.	LENGTH (L)	400mm
2.	WIDTH (W)	180mm
3.	HEIGHT (H)	157mm
4.	JAW DEPTH (D)	78mm
5.	JAW OPENING(O)	203mm